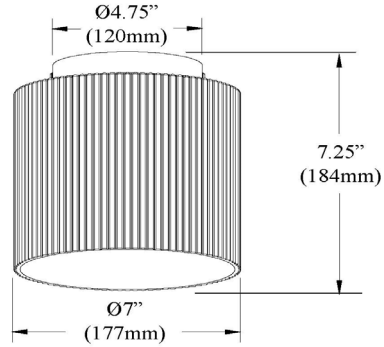


NAD-71FH-MB-FL - Nadine 1LT Flush Mount, MB w/ FL Glass

1 Light Flush Mount in Matte Black w/ Fluted Glass



NAD-71FH



Height	7.25"
Width/Length	7"
Depth	7"
Weight	2 lbs

Body Material	Glass
Finish/Color	Clear
Type of Finish	Fluted

Light Qty	1
Light Base	E26
Light Max Watt	60
Light Inc	No

Dimmable	Dimmable
LED Compatible	LED Compatible
Total Wattage	60W

Second Material	Metal
Second Finish/Color	Matte Black
Second Type of Finish	Painted

Rated For	Damp Location
Voltage	120V

Approval	cUL or equivalent
Warranty	1 Year Limited
Install Position	Ceiling

Date:	Notes:
Fixture Type:	
Job Name:	

Lighting | LED | Shades | Custom Designs

www.dainolite.com 1-888-564-1262 dainolite@dainolite.com

Dainolite 
TORONTO | BUFFALO